



**LeasePlan Deutschland GmbH
Abt. Gebrauchtwagen-Verkauf
Hellersbergstraße 10 b
41460 Neuss**

**Please complete and return the form to the
address listed on the left or**

by Fax: +49 (0) 21 31/13 26 88-498 or
by Email: gwverkauf@leaseplan.de

If you have any questions, please call:
+49 (0) 21 31/132-706

Vehicle Purchase Price Enquiry

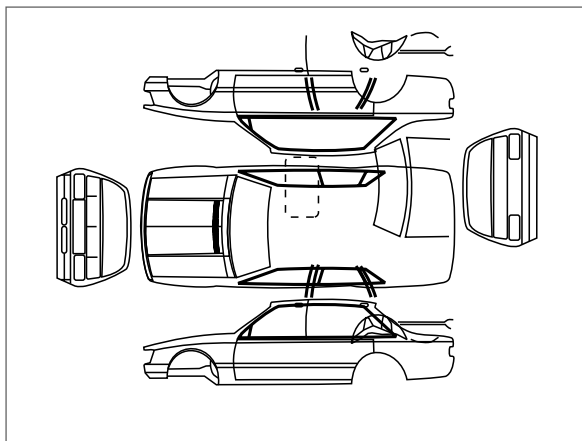
I am interested in purchasing the vehicle I am leasing at this time. Please make me an offer for the purchase of this vehicle:

Number plate

Date of purchase

Type of vehicle

Milage at date of purchase



If the damage exceeds EUR 400 net, the vehicle cannot be purchased.
I confirm with my enquiry that the vehicle is free of technical defects.
Please mark any damage and provide a brief description below.

Please enquire about purchase price 4–6 weeks before date of purchase.

The following information **must** be provided:

First name

Street

Company

Phone no.

Surname

Postal Code/City

Email

Fax no.

Date/Signature of driver